

4

3



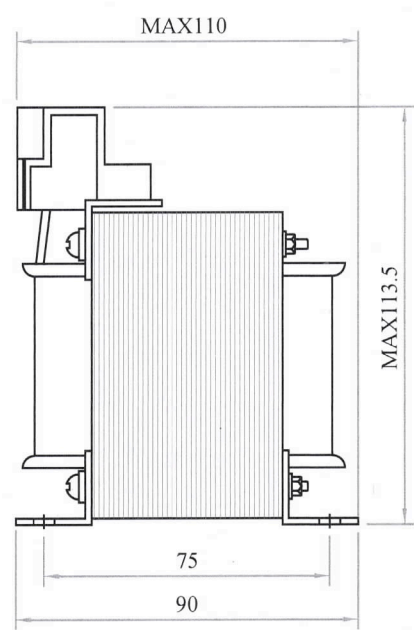
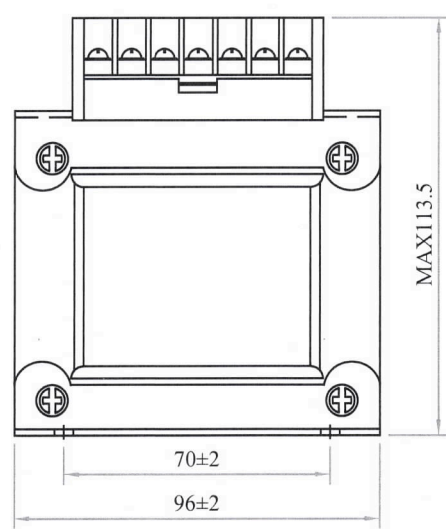
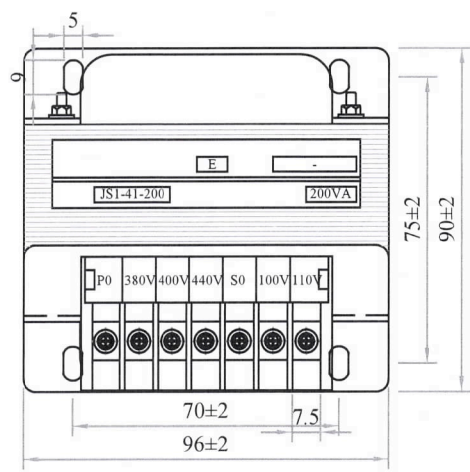
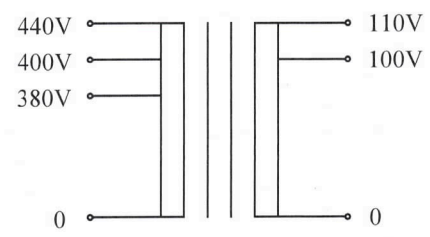
2

1

TERMINAL

WIRING DIAGRAM

TRT-157-7P (M3.5)



PHASE / CAPACITY	1PH 200VA
FREQUENCY	50/60Hz
PRIMARY VOLTAGE	380-400-440V
SECONDARY VOLTAGE	100-110V
SECONDARY CURRENT	2.0A(100V)
INSULATION	" E "
WEIGHT	3.0 Kg.

General Tolerance
 0-200 ± 2 More Than 201 ± 3

CHEKED	DESIGN	DRAWN	SCALE	APPROVAL
ITEM.	1PH 200VA ISOLATION TRANSFORMER			
ITEM No.	-			
DRA. No.	JS1-41-200			
CLIENT	-			
DRAWN	SDS ASIA CO.,LTD.			

SYM	REVISION RECORD	DATE	DRAWN
4		3	

4

3



2

1

D

D

C

C

B

B

A

A