

4

3



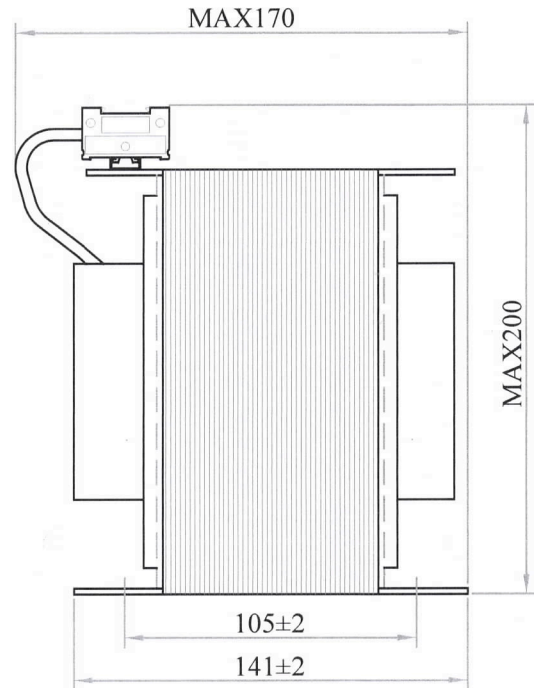
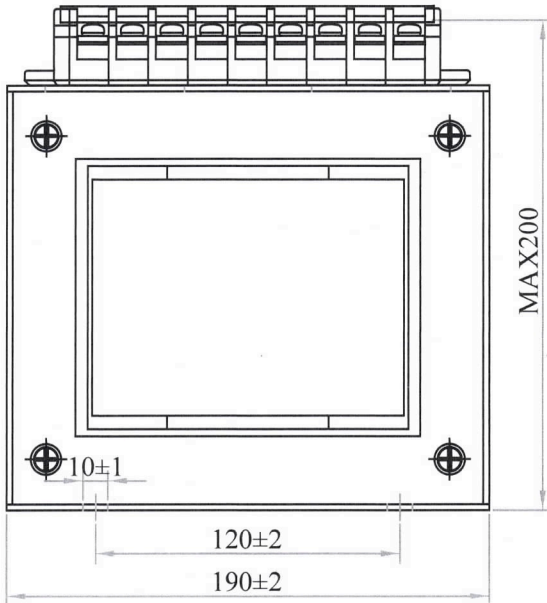
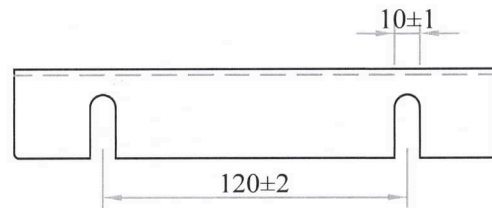
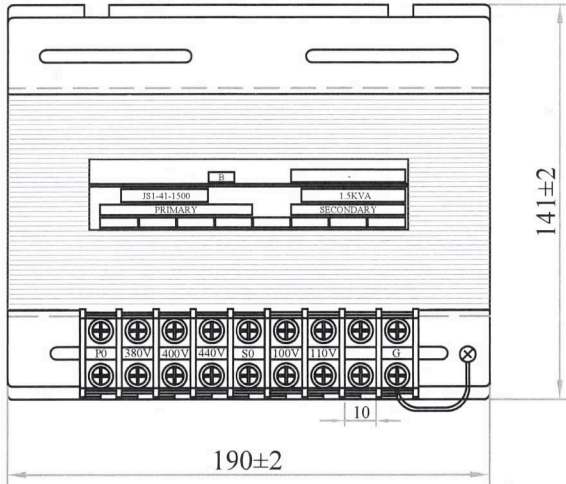
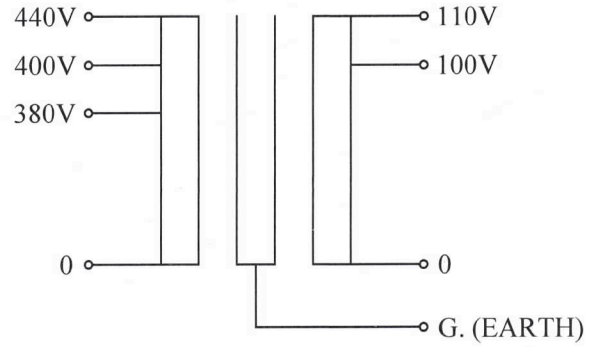
2

1

TERMINAL

TE-030-9P (M4)

WIRING DIAGRAM



PHASE/CAPACITY	1PH 1.5KVA
FREQUENCY	50/60Hz
PRIMARY VOLTAGE	380-400-440V
SECONDARY VOLTAGE	100-110V
SECONDARY CURRENT	15A(100V)
INSULATION CLASS	" B "
WEIGHT	16 Kg.

General Tolerance
0-200 ± 2 More Than 201 ± 3

CHEKED	DESIGN	DRAWN	SCALE	APPROVAL
ITEM	1PH 1.5KVA ISOLATION TRANSFORMER			
ITEM No.	-			
DRA. No.	JS1-41-1.5KVA			
CLIENT	-			
DRAWN	SDS ASIA CO.,LTD.			

SYM REVISION RECORD DATE DRAWN

4

3



2

1

D

D

C

C

B

B

B

B

A

A